



WMB3F/W - Lincat FilterFlow WMB Wall Mounted Automatic Fill Boiler - White Glass - W 300 mm - 3.0 kW

The FilterFlow Automatic Wall Mounted Water Boiler is designed for small spaces and provides hot water on tap 24/7 as well as a built-in water filtration system.

- ✓ High quality boiling water on tap 24 hours a day
- ✓ Wall mounted, compact design
- ✓ Built-in water filtration system improves water quality and reduces scale build-up. High volume, easy change FilterFlow cartridge

Specifications

Summary		Power and Performance	
Brand	Lincat	Total Power kW	3.0
Range	FilterFlow	Temperature Range °C	70-96
Series	WMB Wall-mounted Boiler	IP Rating	IP23
Power Type	Electric	Hourly Output Litres	31
Unit Type	Wall-mounted	Hourly Output Cups	205
Available in UK Only	No		
UK Warranty	2 Years Parts and Labour Warranty		
Export Warranty	Contact your local dealer		
GTIN	5056105101413		

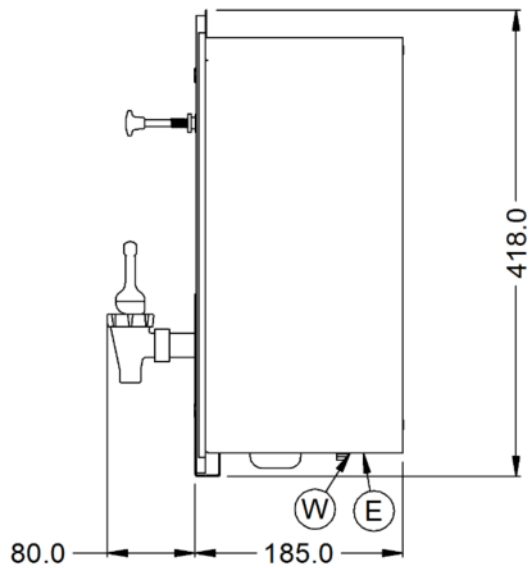
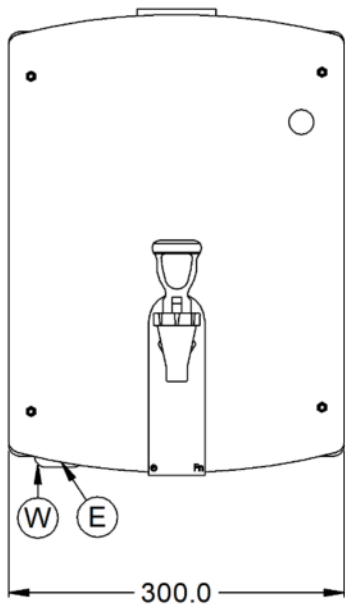
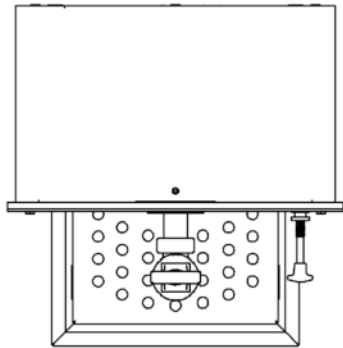
Key Specifications		Capacity	
Outlet	Single Tap	Hot and Cold Water Output	No
Dispense Lock	No	Rapid Draw Off Litres	3.5
WRAS Approved	Yes	Rapid Draw Off Cups	23
		Capacity Litres	3.5

Weights and Dimensions		Supply Connections	
Unit Height (External) mm	418	Requires Installation	Yes
Unit Width (External) mm	300	Requires Electrical Supply	Yes
Unit Depth (External) mm	185	UK 3 Pin Plug	No
Net Weight Kg	8.7	Requires Hardwiring	Yes
		Electrical Supply Rating Watts	3,000
		Single Phase Amps	13
		Single Phase Voltage	230
		Water Connection Pressure Bar	1.0-8.0
		Water Connection	3/4"

Shipping	
Packed Weight Kg	10.5
Packed Height cm	42
Packed Width cm	48
Packed Depth cm	38

Available Accessories	
DP10	DESCALER POWDER
DR72	WMB3F DRIP TRAY
FC02	Filter Cartridge for Lincat FilterFlow Water Boiler

Technical Picture



Lincat Limited

Whisby Road,
Lincoln, LN6 3QZ,
United Kingdom

Company No: 2175448

A member company of



Customer Care

Tel: +44 1522 875500
Email: care@lincat.co.uk

Export Customers

Tel: +44 1522 503250
Email: export@lincat.co.uk

Opening Hours

Monday – Friday:
8.30am – 5pm