

T900-XL



4 ZONE INDUCTION RANGE

The Target T900-XL commercial induction range cooker, has been designed as an energy efficient alternative to traditional 4 burner gas open burner, solid top and electric hotplate ranges. The option of circular or square induction zones in the T900-XL, gives greater flexibility as it is suitable for use with single and/or multiple pans depending on the zone type you choose, with square induction zones replicating traditional gas solid top ranges.

Dimensions	Width (mm)	Depth (mm)	Height (mm)
T900-XL	1150	800	900 (960)

FEATURES INCLUDE:

- Freestanding 4 zone mobile induction range
- Circular or square induction heat zone configuration options available
- Three phase 3.5kW or 5kW power options available
- Schott Ceran® 6mm toughened safety glass hobs
- Fully welded 304 catering grade stainless steel chassis
- Rotary control operated
- 60mm upstands to rear and sides
- 4 x commercial grade castors (2 braked)
- Shelves or oven configuration options available
- Slotted grill shelf and Hi-Touch salamander grill optional add-ons available





T900-XL-S

The T900-XL-S provides open storage with a fixed base shelf and height adjustable intermediate shelf perfect for the storage of cookware and cooking utensils directly beneath the cookline. The open storage is fully panelled to the sides and rear ensuring nothing can fall into hard to reach places.




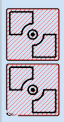

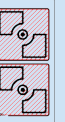
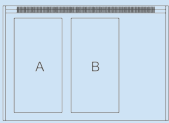
T900-XL-E31D4

The T900-XL-E31D4 incorporates an incredibly versatile convection oven that can grill, bake, roast and hold with a capacity of 4 x 1/1 GN containers with 80mm spacing. It's ideal as a primary oven in smaller establishments or as a feature oven in higher output environments. Easy to use electronic controls with highly visible digital display are standard. An electronic thermostat guarantees reliable heating every time and vitreous enamelled oven liners make clean up a breeze. Manual or programmable modes with 2.8kW heating in bake mode and 2.0kW heating in grill mode.

CONFIGURE & PRICE YOUR T900-XL

Using the pricing table below select your chosen base configuration and induction hob zone types from the options available.

Once decided upon your configuration combine the base price with price for the chosen zone types this will give you a total price for your T900 range.

Model No.	Induction Zones	A		B	
					
T900-XL-S		270mm Ø	260mm Sq	270mm Ø	260mm Sq
T900-XL-E31D4					

Optional Add-Ons	Model No.
Slotted Grill Shelf	T900-GS
Hi-Touch Salamander Grill	ST30
	ST40
Grill Heat Deflector Plate	ST30-DP
	ST40-DP

