



EB6TFX - Lincat FilterFlow FX Counter-top Automatic Fill Twin-Tap Water Boiler - W 250 mm - 6.0 kW

The FilterFlow Automatic Fill Electric Twin-Tap Water Boiler is perfect for busy periods, such as when a coach load of holiday makers pull up outside your cafe and they all want hot drinks.

- ✓ Twin tap version, ideal for the busiest periods
- ✓ Eco setting reduces the volume of boiling water by 50% for quieter periods
- ✓ 7-day timer allows the boiler to be programmed to switch off overnight or at weekends to conserve energy
- ✓ Enhanced diagnostics identify possible causes. The on screen diagnostic information will enable the engineer to identify the parts needed and repair your water boiler at first visit
- ✓ Narrow 250mm footprint saves valuable counter space without compromising capacity or performance
- ✓ Built-in water filtration system improves water quality and reduces scale build-up. High volume, easy change FilterFlow cartridge
- ✓ Easily operated from a large, colour touchscreen display. Menu navigation is quick and easy with the temperature and timer simple to adjust

Specifications

Summary

Brand	Lincat
Range	FilterFlow
Series	FX Counter-top Boiler
Power Type	Electric
Unit Type	Counter-top
Available in UK Only	No
UK Warranty	2 Years Parts and Labour Warranty
Export Warranty	Contact your local dealer
GTIN	5056105105572

Power and Performance

Total Power kW	6.0
Temperature Range °C	70-98
IP Rating	IP23
Hourly Output Litres	60
Hourly Output Cups	300
Temperature Control	Electronic

Key Specifications

Outlet	Twin Tap
Dispense Lock	No
WRAS Approved	Yes

Capacity

Hot and Cold Water Output	No
Rapid Draw Off Litres	18.0
Rapid Draw Off Cups	90
Capacity Litres	22.0

Weights and Dimensions

Unit Height (External) mm	685
Unit Width (External) mm	250
Unit Depth (External) mm	525
Net Weight Kg	16.2

Supply Connections

Requires Installation	Yes
Requires Electrical Supply	Yes
UK 3 Pin Plug	No
Requires Hardwiring	Yes
Electrical Supply Rating Watts	6,000
Single Phase Amps	26
Single Phase Voltage	230
Water Connection Pressure Bar	6
Water Connection	3/4"

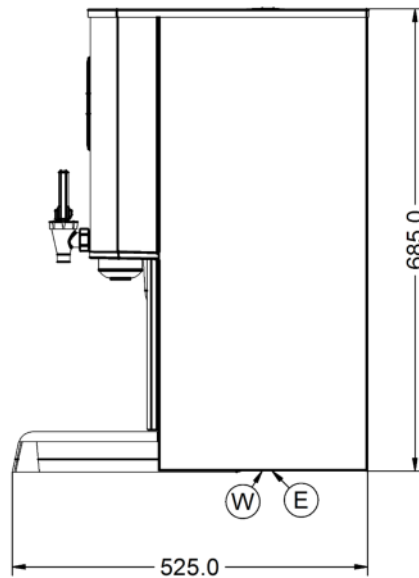
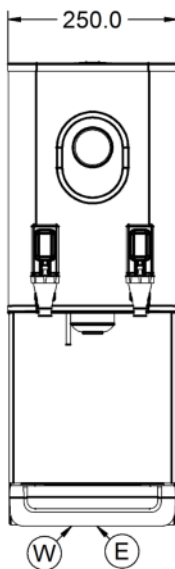
Shipping

Packed Weight Kg	19
Packed Height cm	53
Packed Width cm	78.5
Packed Depth cm	36.6

Available Accessories

BR56	EB6FX WALL BRACKET
DP10	DESCALER POWDER
FC04	Filter Cartridge for Lincat FilterFlow Water Boiler

Technical Picture



Lincat Limited

Whisby Road,
Lincoln, LN6 3QZ,
United Kingdom

Company No: 2175448

A member company of



Customer Care

Tel: +44 1522 875500
Email: care@lincat.co.uk

Export Customers

Tel: +44 1522 503250
Email: export@lincat.co.uk

Opening Hours

Monday – Friday:
8.30am – 5pm